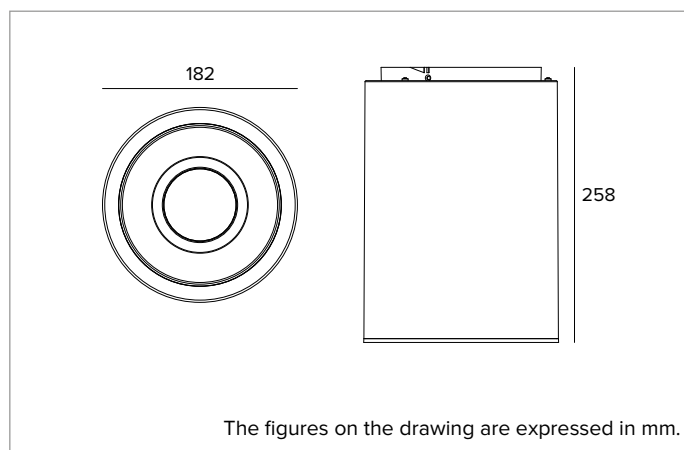


# 1T9680EL | CCTEVO TUBE 180

## LED Ceiling-, suspension- or track mounted fixture



		3000K	H(m)	D(m)	E <sub>max</sub> (lx)
		Ra90		58°	
Fixture Power	22W	1	1.11	2906	
Source Flux	3074lm	2	2.22	727	
Fixture Flux	2264lm	3	3.33	323	
Efficacy	103lm/W	4	4.44	182	
TS1534	I <sub>max</sub> =945cd/klm	I <sub>max</sub>	2906cd	5	5.55
					116



### SOURCE

High efficiency Chip on Board LED Ra90. Ra80 on request.

**Energy efficiency class:** E

**Nominal power:** 19,6W

**Nominal flux:** 3074lm

**Colour rendering index:** 90

**Rf:** 92

**Rg:** 101

**CCT nominal:** 3000K

**Lifetime (L80/B10):** >50000h tq +25°C

### ILLUMINOTECHNICAL CHARACTERISTICS

Decorative cut-off ring in thermoplastic material. Low luminance deep UGR optic for high visual comfort. Optic composed of a deep thermoplastic reflector with reflective metallisation and a protective anti-scratch coating, a holographic acrylic diffuser screen and a highly reflective white thermoplastic internal recuperator. UGR<19 and L65<1000 cd/m<sup>2</sup> (EN 12464-1).

**Optic:** REFLECTOR

**Beam angles:** WFL (UGR)

**Optical efficiency:** 74%

**Fixture flux:** 2264lm

**Luminous efficacy:** 103lm/W

**Photobiological safety:** Compliant with RG1 low risk group

### MECHANICAL CHARACTERISTICS

Painted aluminium body. Galvanized steel Internal structure and passive heat sink in die-cast aluminum with protective cathoporesis treatment.

**Colour and finish:** Deep black

**Weight:** 1.8Kg

**Degree of protection:** IP20

### ELECTRICAL CHARACTERISTICS

Driver integrated in the body of the fixture, available in the electronic ON-OFF version. Luminaire compliant with EN 60598-2-22 for power supply from a centralised emergency system CPSS (Central Power Supply System), not incorporated in the luminaire - high risk areas excluded. The default power and flux are 100% in AC and 100% in DC.

**Fixture Power:** 22W

**Power supply:** 230Vac 50Hz

**Insulation Class:** CLASS 1

**Type of driver / Control:** ON-OFF

**Driver included:** YES

**Class F:** YES

**SAFE FLICKER:** PstLM=<1 and SVM=<0.4 (IEC TR 61547-1 and IEC TR 63158), to ensure a more comfortable and safe light

**Ambient temperature:** 0°C / +25°C

### INSTALLATION

To be completed with ceiling, suspension or track mounting system.

### WARRANTY

5 years.

### WARNING

Luminaire designed for disposal/recycling at end-of-life. Replaceable (LED only) light source by a professional. Replaceable control gear by a professional.

*Due to the technological evolution of the electronic components, the data provided may be updated, and as such, confirmation must be requested during the order process.*

*Luminous flux and power supply have +/-10% tolerances with respect to the indicated value. tq +25°C (CIE 121).*

*We reserve the right to make technical changes.*

Targetti Sankey S.r.l.  
Via Pratese, 164  
50145 Firenze - Italy  
Tel: +39 055 37911  
targetti.com  
targetti@targetti.com

CCIAA Firenze  
Share Capital:  
€ 500.000,00  
VAT N. (IT):  
01537660480  
R.E.A.: FI-275656

**TARGETTI**

# 1T9680EL | CCTEVO TUBE 180

## LED Ceiling-, suspension- or track mounted fixture

### Related codes

#### Mounting System



Colour	Code
●	<b>1T9692</b>

Ceiling mounting kit.  
For CCTEVO Tube 180.



L mm	Driver	Colour	Code
2000	ON-OFF	●	<b>1T9694EL</b>

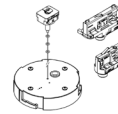
Suspension kit.  
For CCTEVO Tube 180.

#### Mounting System



Driver	Colour	Code
ON-OFF	●	<b>1T9688EL</b>

Kit for track installation.  
For CCTEVO Tube 180.



L mm	Driver	Colour	Code
2000	ON-OFF	●	<b>1T9690EL</b>

Track suspension kit.  
For CCTEVO Tube 180.

Due to the technological evolution of the electronic components, the data provided may be updated, and as such, confirmation must be requested during the order process.

Luminous flux and power supply have +/-10% tolerances with respect to the indicated value. tq +25°C (CIE 121).

We reserve the right to make technical changes.

Targetti Sankey S.r.l.  
Via Pratese, 164  
50145 Firenze - Italy  
Tel: +39 055 37911  
targetti.com  
targetti@targetti.com

CCIAA Firenze  
Share Capital:  
€ 500.000,00  
VAT N. (IT):  
01537660480  
R.E.A.: FI-275656

# TARGETTI